

19" Marine Bridge System Display

Model # MBPM-19-HB

High Brightness Version



Features

- Front hyper dimming knob control backlight brightness from nearly 0%-100%.
- Support high brightness up to 1000 nits.
- Rugged construction, Front bezel NEMA4 / IP65 compliant.
- Front hardness glass protect screen (AR glass & touch for optional).
- Front OSD control buttons to optimized display.
- Build in 2x 2watts stereo speakers.
- Support PIP & POP function.
- Standard with HDMI, VGA, Composite Video, Audio input.
- Panel (Flush) mount with clips.
- Meet standard VESA mount and optional robust mounting bracket.
- IEC60945 certificated

TFT Characteristics:

Screen Size	19 inch TFT LCD
Backlight Type	LED
Resolution	1280x1024
Contrast Ratio	1000:1
Brightness (cd/m ²)	1000
View Angles (H/V)	170/160
Max. Color	16.7M
MTBF (Hrs.)	50,000

Input Signals:

HDMI Signal	HDMI
VGA Signal	D-SUB 15P connector (Female)
Composite Video	RCA Phono plug
Audio	3.5" jack
AC Power Input	Standard IEC Inlet
DC Power Input (option)	Screw Terminal Block
Touch Screen (option)	USB-A or D-SUB 9P connector (Female)
RS-232 Remote (option)	D-SUB 9P connector (Female)

User Controls:

Power On/Off via front buttons
VR Brightness Knob adjustment
Power Mode Status LED indicator
On Screen Display control(OSD)
OSD Remote Control via RS-232 (option)

Power Specifications:

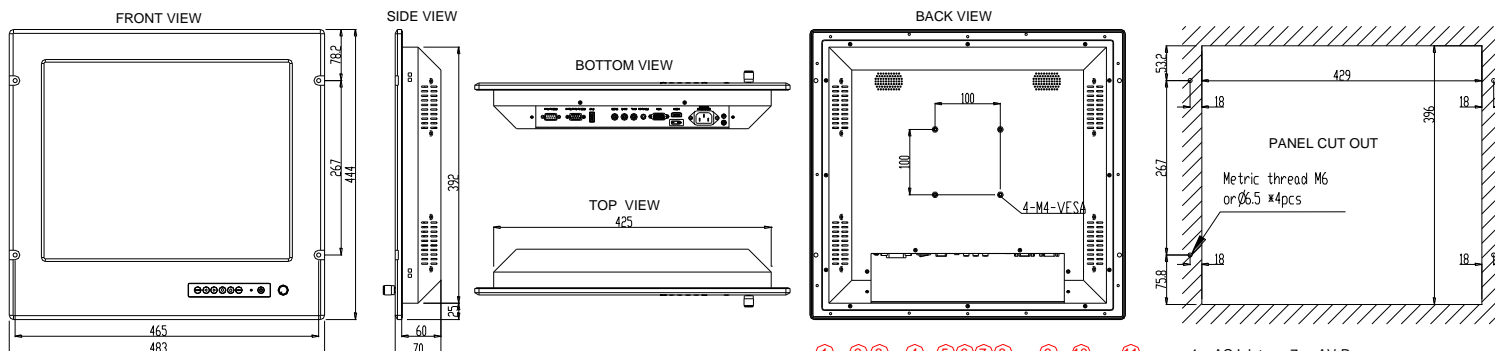
AC Power Input	Standard IEC Type power cord with Internal Power Adapter , 100-240V AC Input
DC Power Input (option)	Screw Type Terminal Block with internal isolate DC 12V/24V/48V/125V power module

Mechanical and Environmental:

IP Protect	Front IP65 Grade
Mounting	Panel (Flush) Mount, VESA Mount, Robust Bracket, Sun-visor Bracket
Construction	Aluminum Front Bezel + Metal Housing
Operating Temperature	0 - 50 deg. C
Operating Humidity	5% - 95% (non -condensing)
Anti-Vibration	5 - 500 Hz / 1 Grms PTP
Anti-Shock	15G / Peak (11 ms)
Physical Dimension (WxHxD)	483 x 444 x 70mm
Packing Dimension (WxHxD)	620 x 580 x 220mm
Net Weight / Gross Weight	9.5 / 13 KGs
Certification and Approvals	CE / FCC / RoHs / IEC60945

Available Options:

Touch Screen	Resistive, Capacitive, SAW, IR Touch
AR Hardness Glass	3mm Anti-Reflective Protect Glass
DC Power	Isolate 12V/24V/48V/125V DC Power
SR-BKT	Stand & Roof Mounting Bracket
RT-BKT	Rotary Plate Robust Bracket
SV-BKT	Sun-Visor Bracket



- | | |
|--------------|-------------------------------|
| 1 . AC Inlet | 7 . AV-R |
| 2 . HDMI | 8 . CVBS |
| 3 . Power sw | 9 . F/W |
| 4 . VGA | 10 . RS232 for Remote control |
| 5 . PC-Audio | 11 . RS232 for Touch |
| 6 . AV-L | |



China (Factory)
 Add : The south faces industry area of Xia Gang Fu Hai road, Chang'an Town, Dongguan City, Guangdong, China.
 Tel : +86-769-81666360,81666395-97
 Fax : +86-769-81666306
 Email : sales@annso.com.tw

Taiwan (Head Quarter)
 Anns Technology Co., Ltd.
 Add : NO.53, Ming YI street, Luzhou Dist.
 New Taipei City, Taiwan
 Email : sales@annso.com.tw