

→ KCH-6608L

8-Slot Desktop/Wall mount chassis



Features

KCH-6608L is a compact and rugged 8-slot backplane chassis designed for space-limited application. A fault detection and alarm notification system monitors the systems status.

Its rugged, sturdy and full-sealed steel chassis is specially designed to withstand shock, dust, humidity, trembling vibration and extremely temperature in the harsh environments.

Specification

- Physical dimension:(WxHxD) 200x300x455mm
- Front LCM Display for Temperature setting and alarm notification
- Construction: heavy-duty steel
- Cooling Fan: Two (70x70x25mm) cooling fan(hot swap)
- Disk Drive Bay: vibration damped. 5.25"x2 , 3.5"x1 (External), 3.5"x1 (Internal).
- Front LED indicate power status

+5V	5Vsb
-5V	3.3V
+12V	HDD
-12V	Power
- 8 slots backplane for space-limited application

Environmental

- Operating temperature: 0°C to 50°C (32°F~ 113°F)
- Storage temperature: -0°C to 70°C (32°F~ 167°F)
- Storage humidity: 5% to 95%@ 40°C,non-condensing
- Vibration: 10 ~ 150Hz, 0.15mm 10 cycles 1G
- Shock: 30G peak acceleration (11 msec. duration)



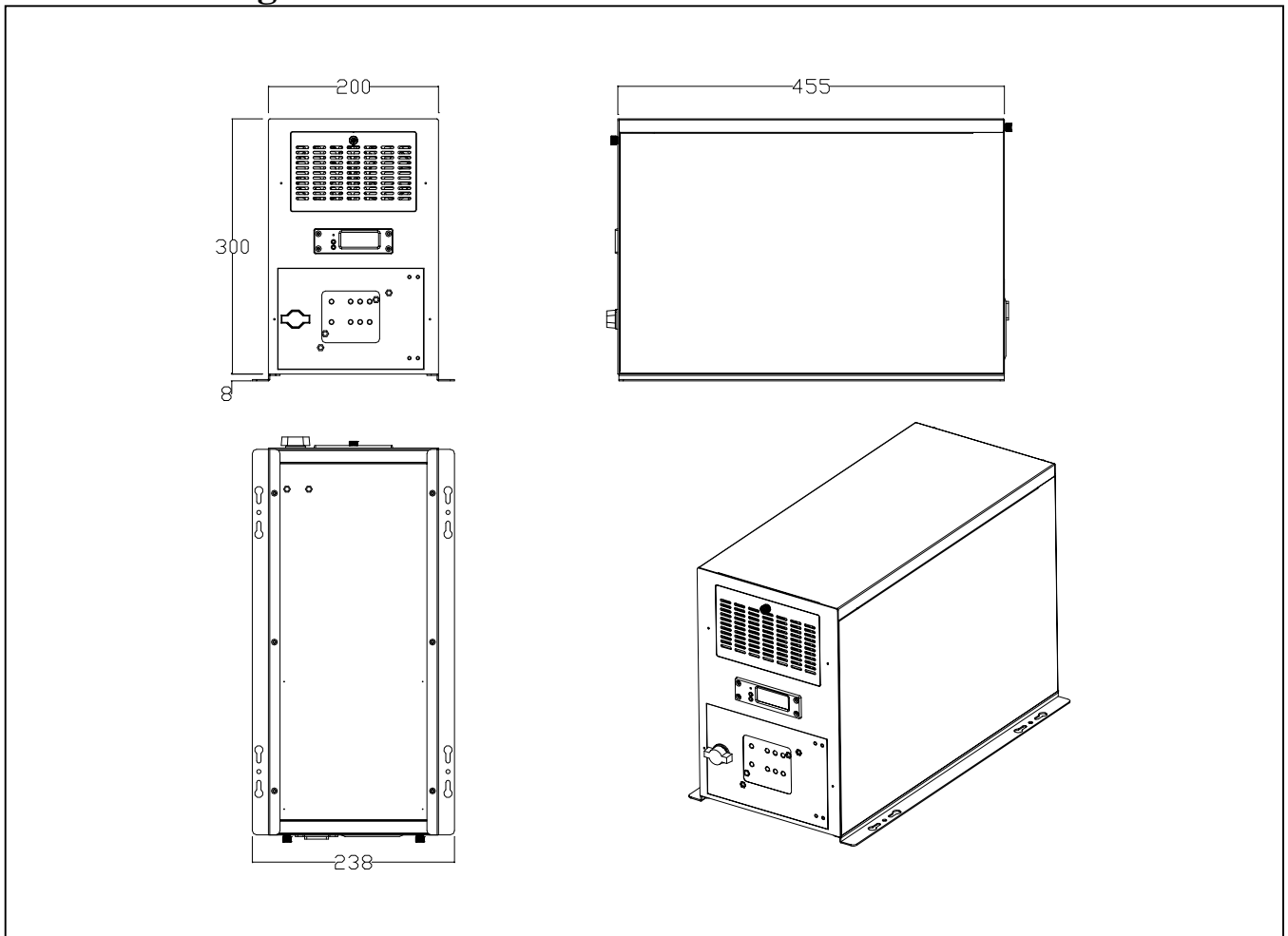
ANNSO TECHNOLOGY CO., LTD

Factory address: Hexi District of JinXia, Chang'an Town, Dongguan City, Guangdong, China.
Tel: +86-769-5387700 5387755 5305389 5305396 5531482 5530279 Fax: +86-769-5329662



Dimension Diagram

Unit:mm



Power Supply Option

- 250W AC ATX Power Supply
- 300W AC ATX Power supply
- 300W AC ATX Redundant Power Supply

Backplane Option

- CBP-8P4N

Ordering Information

KCH-6608LBP	Industrial 8-slot chassis, w/o P/S, W/O backplane
KCH-6608LP4N-250X	Industrial 8-slot chassis w/250 ATX P/S w/CBP-8P4N backplane
KCH-6608LP4N-300X	Industrial 8-slot chassis w/300 ATX P/S w/CBP-8P4N backplane